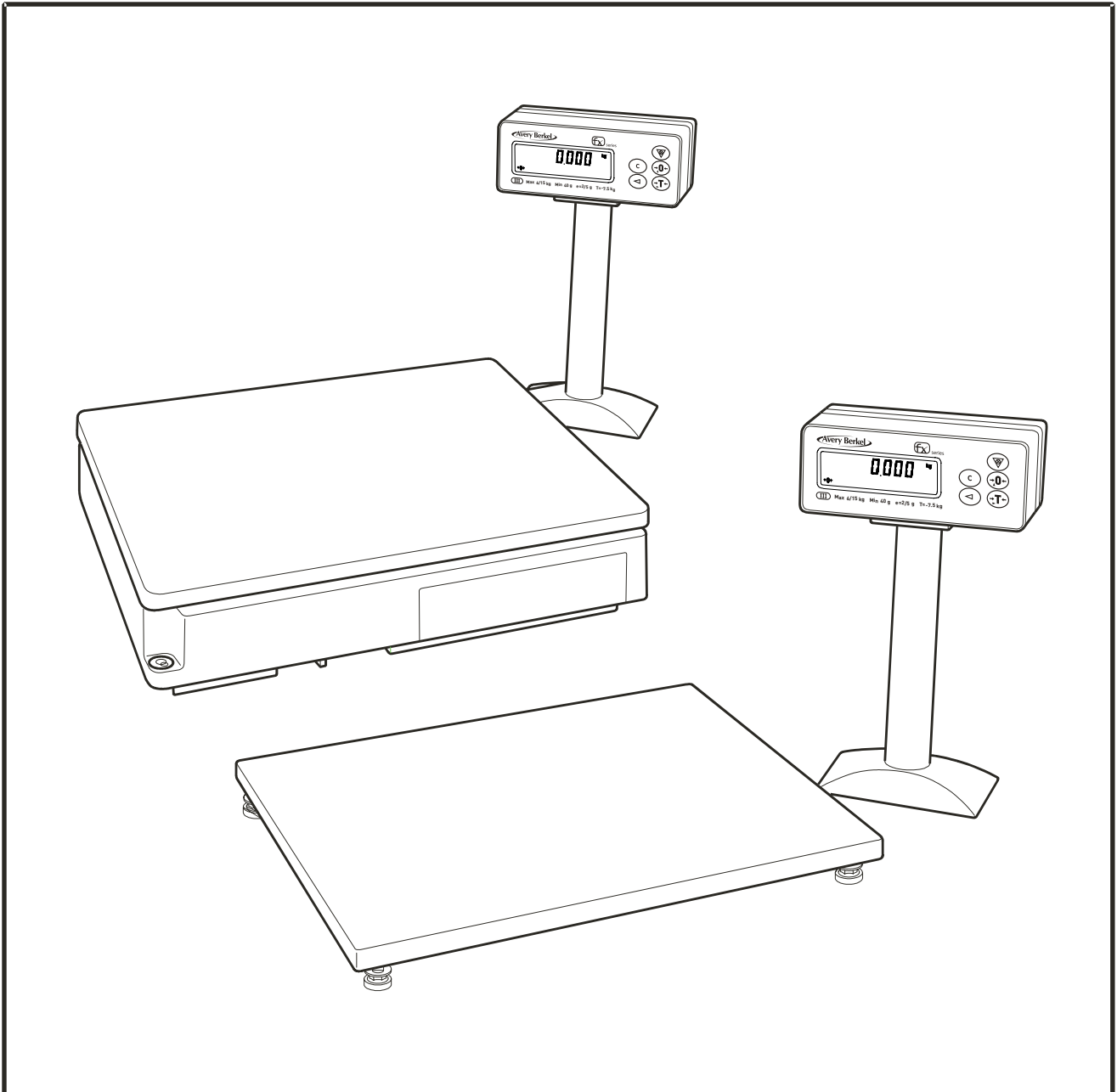


FX110-A / FX120-A User Instructions



Weight only scale

ABR35-000865 Issue 1

English



© Avery Berkel Limited 2020. All rights reserved

The information contained herein is the property of Avery Berkel Limited and is supplied without liability for errors and omissions. No part may be reproduced or used except as authorised by contract or other written permission. The copyright and the foregoing restriction on reproduction and use extend to all media in which the information may be embodied.

Safety Warnings

Safety

To avoid the possibility of electric shock or damage to the machine, always switch off the machine and isolate from the power supply before carrying out any routine maintenance.

The mains lead must be connected to a supply outlet with a protective earth contact. The electrical supply at the socket outlet must provide over-current protection of an appropriate rating.

Pluggable equipment must be installed near an easily accessible socket outlet. Permanently connected equipment must have a readily accessible disconnect device incorporated in the fixed wiring.

To avoid the risk of the machine falling, where applicable, ensure that it is placed securely on a flat and level surface.

Cleaning the machine

Harsh abrasives, solvents, scouring cleaners and alkaline cleaning solutions, such as washing soda, should not be used especially on the display windows. Under no circumstances should you attempt to wipe the inside of the machine.

The outside of standard products may be wiped down with a clean cloth moistened with water containing a small amount of washing up liquid.

Ergonomics

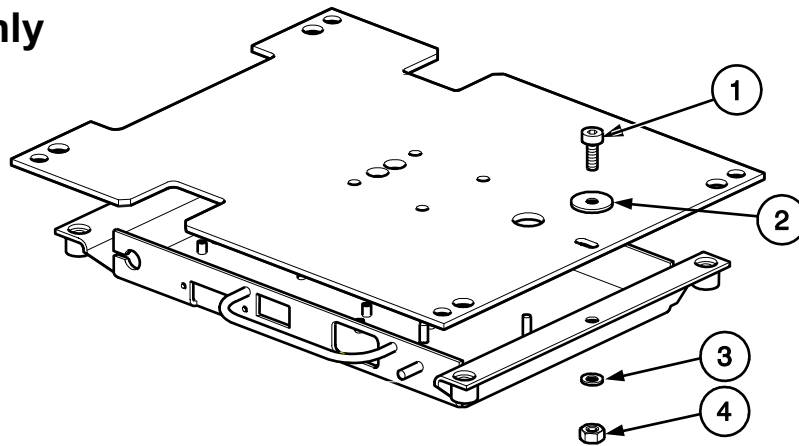
To avoid the risk of RSI (Repetitive Strain Injury) it is important to ensure that the machine is placed on a surface that is ergonomically satisfactory to the user. It is recommended that frequent breaks are taken during prolonged usage.

EMC Compliance

This is a class A product. In a domestic environment, this product may cause radio interference in which case the user may be required to take adequate measures.

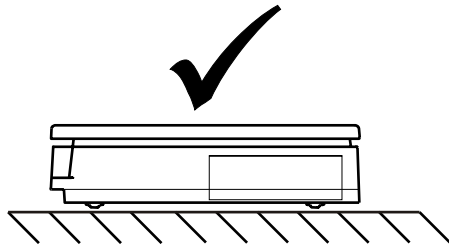
Installation

FX110-A only

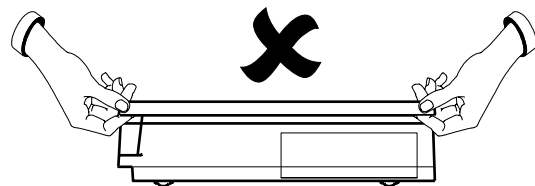
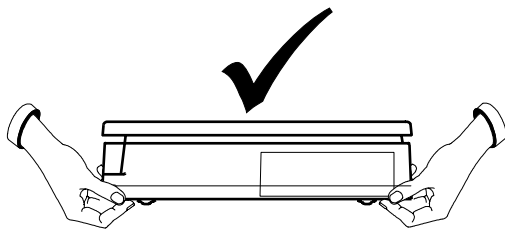


Remove parts 1- 4 before installing the machine.

- 1 Make sure that the work surface is firm, steady and free from vibration and draughts.

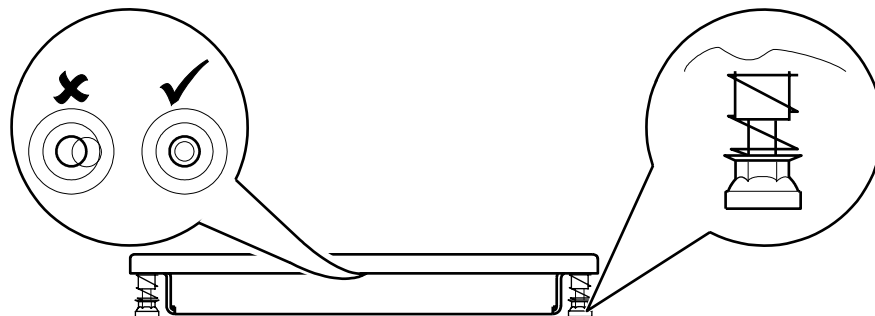


- 2 Hold the scale by the base when picking up. Do not pick up the scale by the weigh plate or cross.



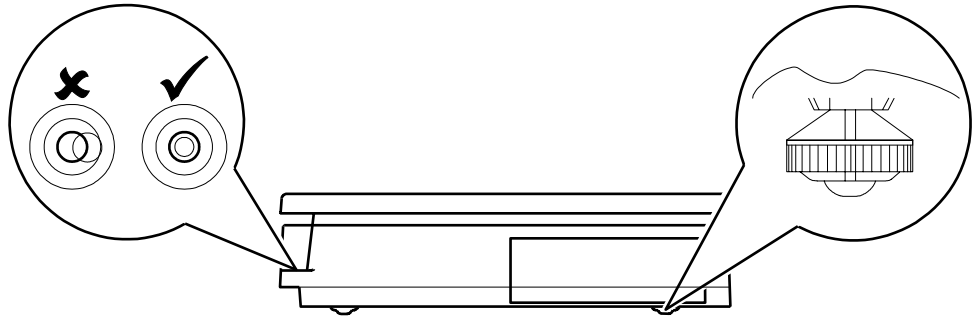
- 3 Adjust the feet if the scale is not level.

FX110-A



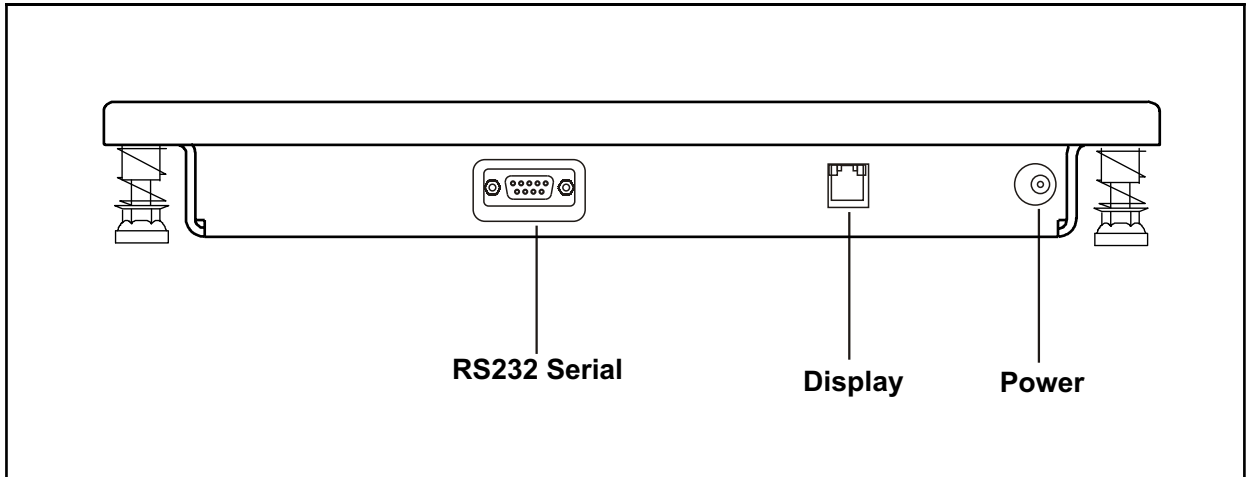
Installation

FX120-A



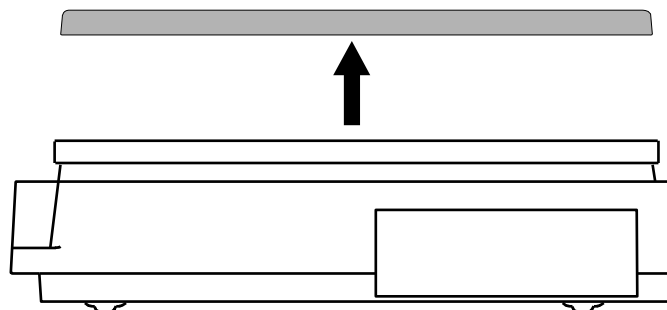
To avoid the risk of RSI (Repetitive Strain Injury) it is important to ensure that the machine is placed on a surface which is ergonomically satisfactory to the user. In cases where usage is prolonged, EN614-1 recommends frequent breaks for the user.

FX110-A connections

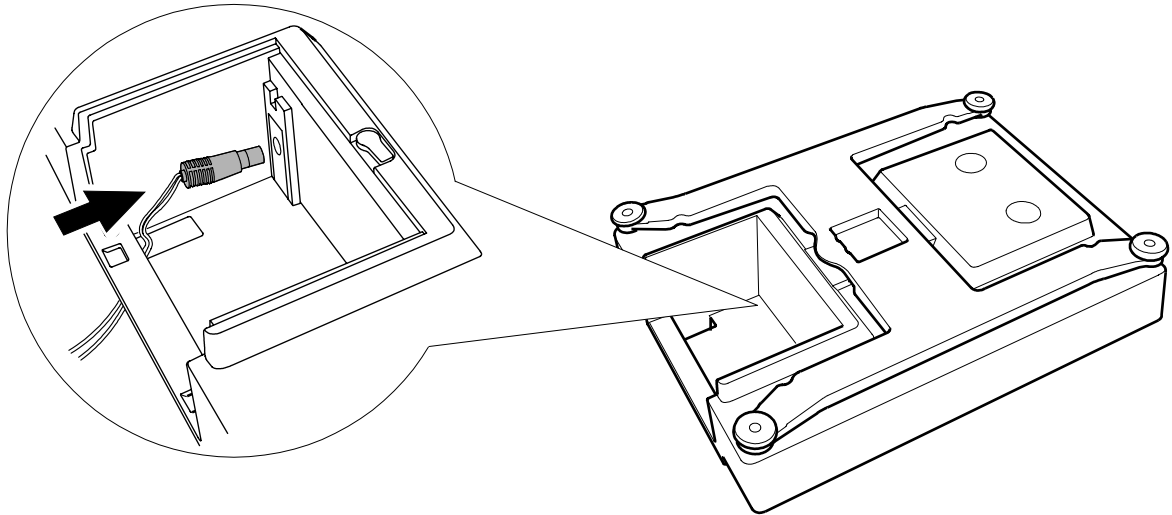


FX120-A connections

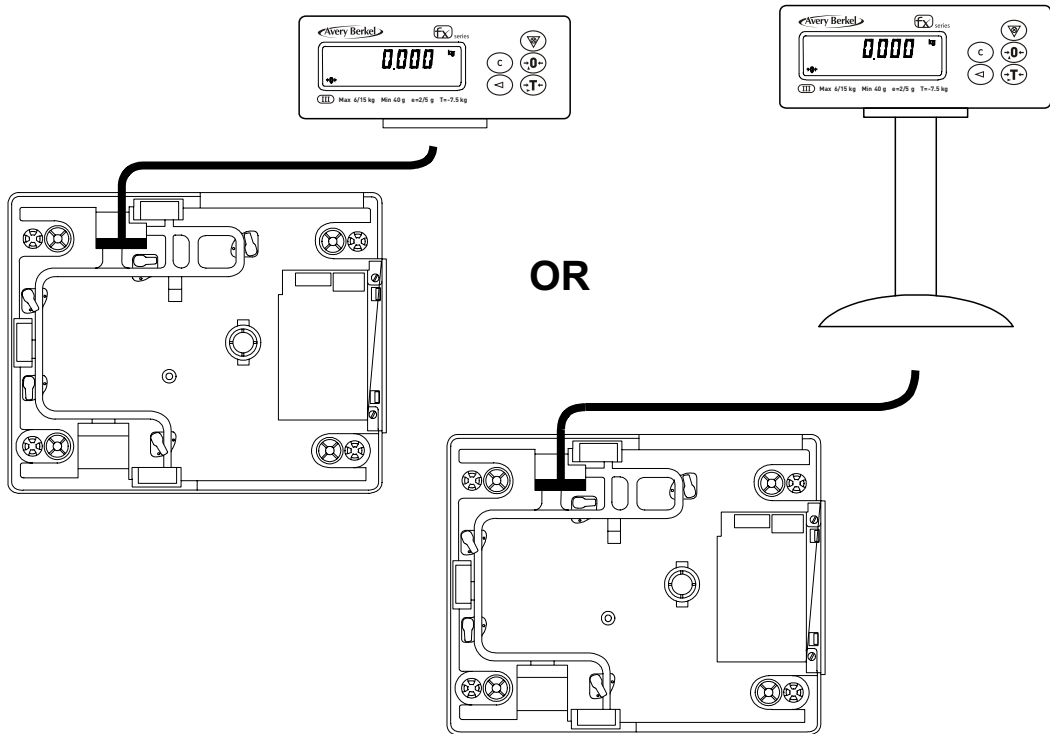
1 Remove weigh plate.



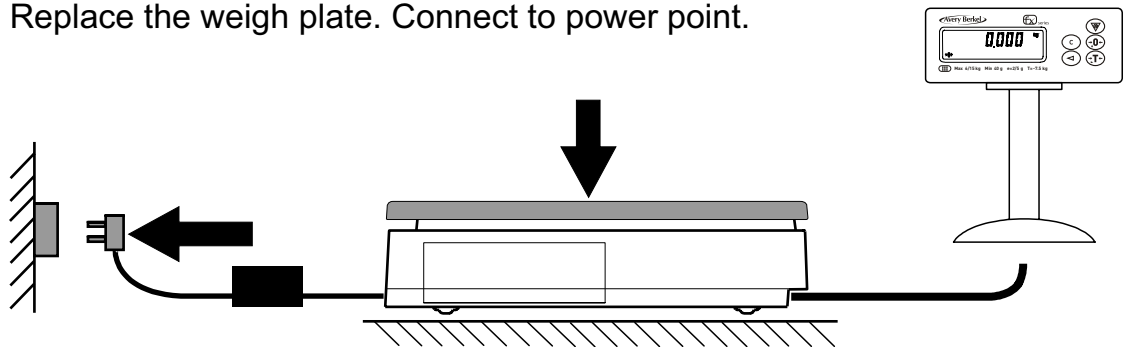
2 Connect power cable.



3 To connect remote display.

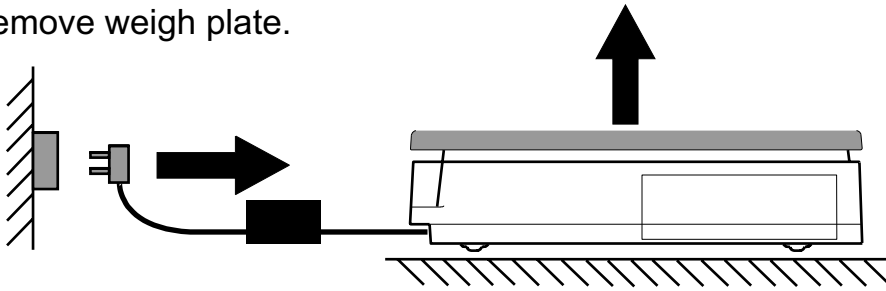


4 Replace the weigh plate. Connect to power point.

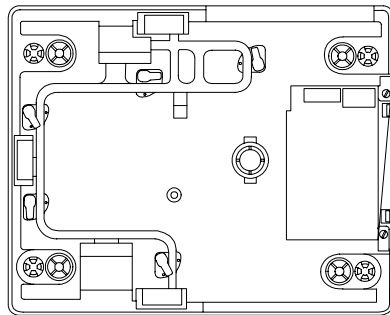


Fitting the FX120-A scale mounted display

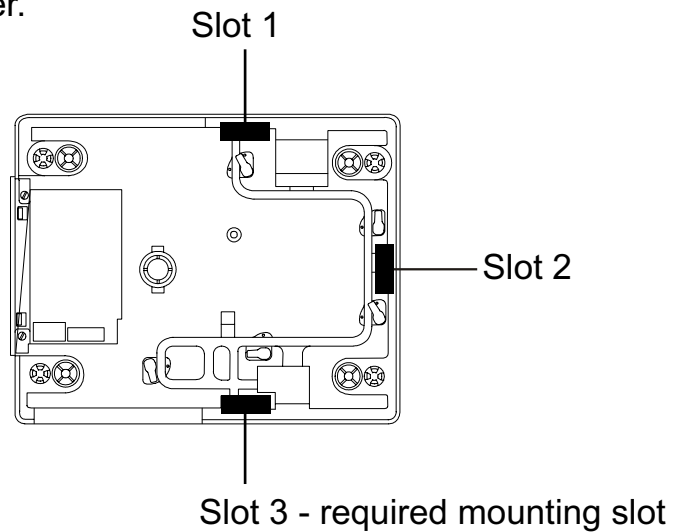
- 1** Make sure the scale is not connected to the power supply and remove weigh plate.



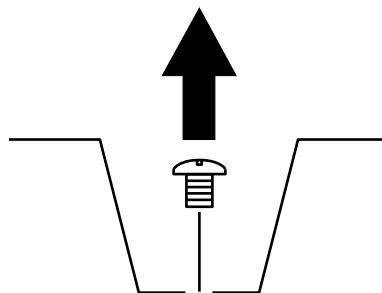
- 2** Turn over machine and place on a safe, level surface.



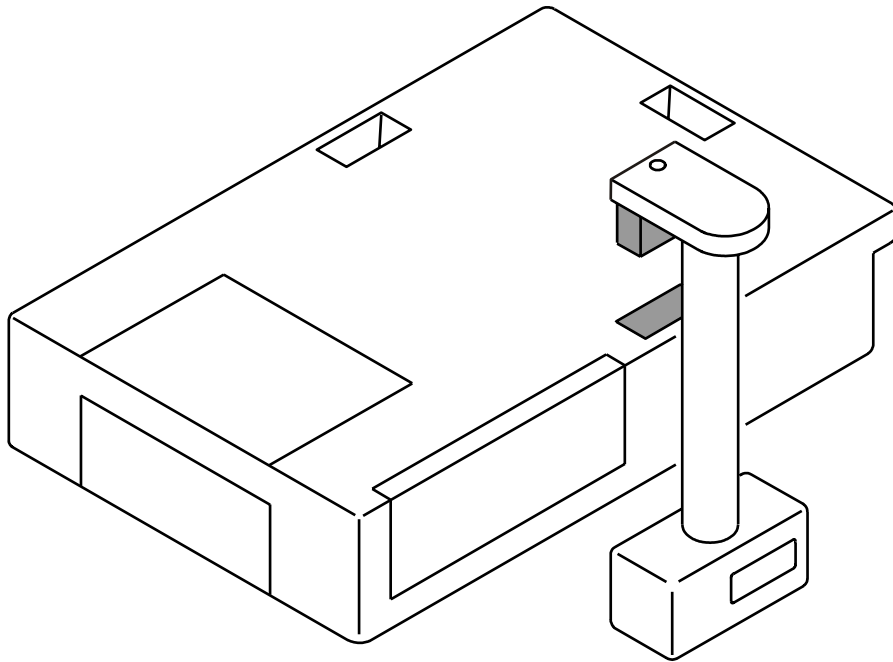
- 3** Turn the machine round so the required mounting slot is next to the edge of the counter.



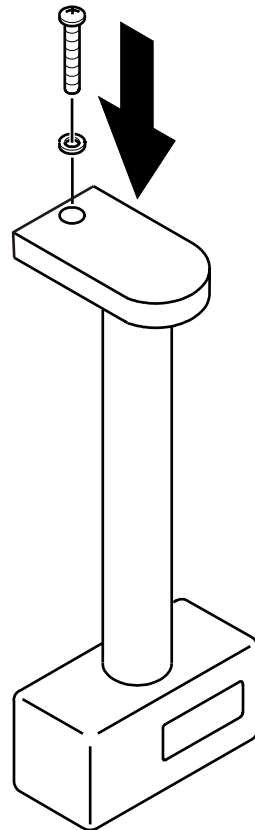
- 4** Remove the screw in the mounting slot.



5 Place the mounting bracket into the slot.



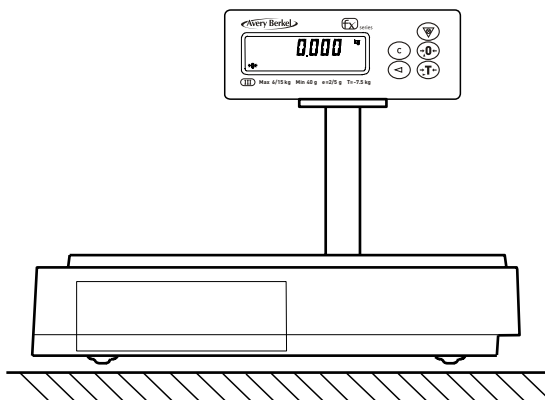
6 Place washer over screw hole and fix with the large replacement screw.



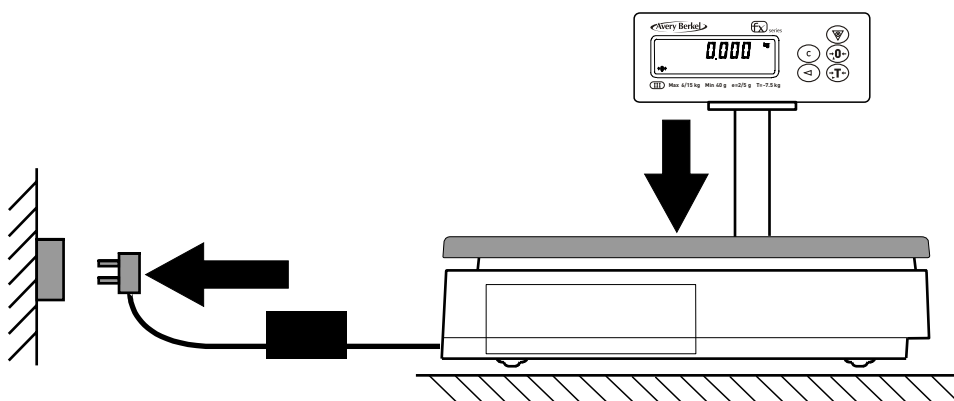
7 Refer to the drawings on the following pages and:

- Plug the display cable into the base.
- Feed the slack cable round the base.
- Secure the cable clips.

8 Place machine upright.

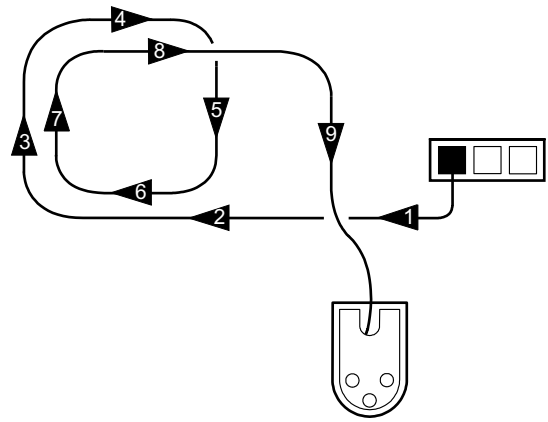
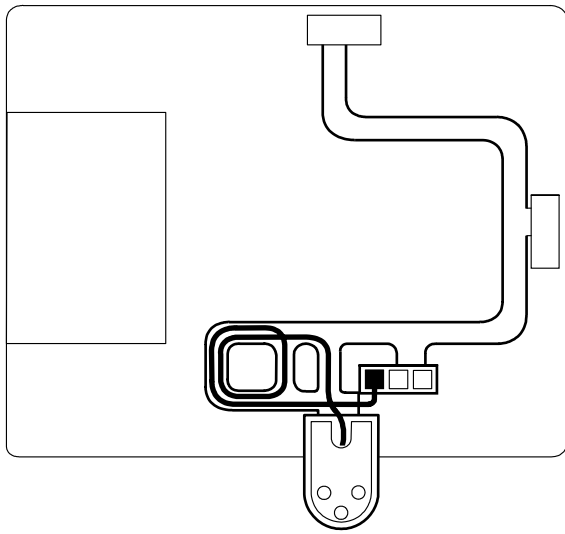


9 Replace the weigh plate. Connect to power point.

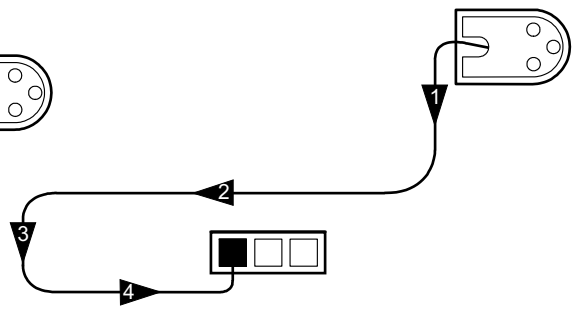
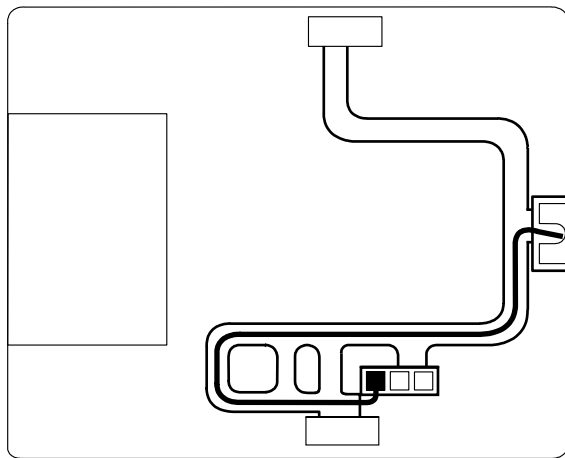


Cable route: single display

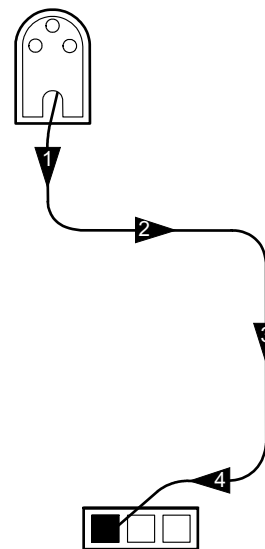
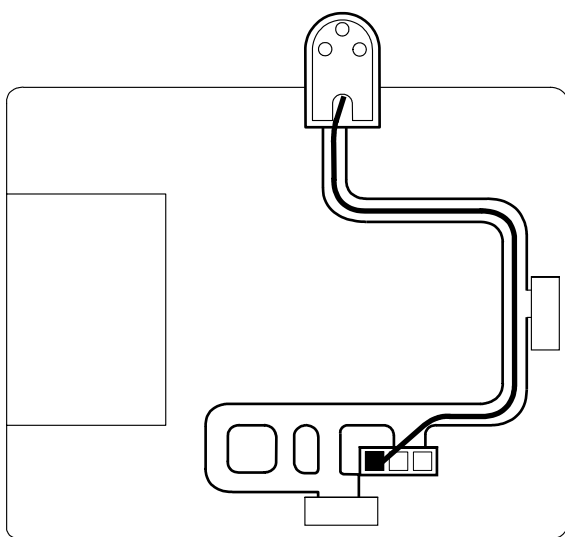
Cable from slot 3



Cable from slot 2

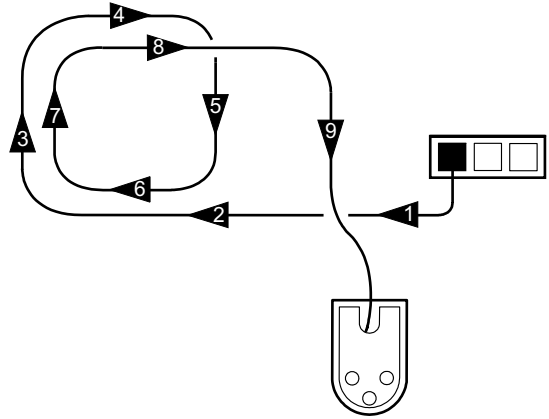
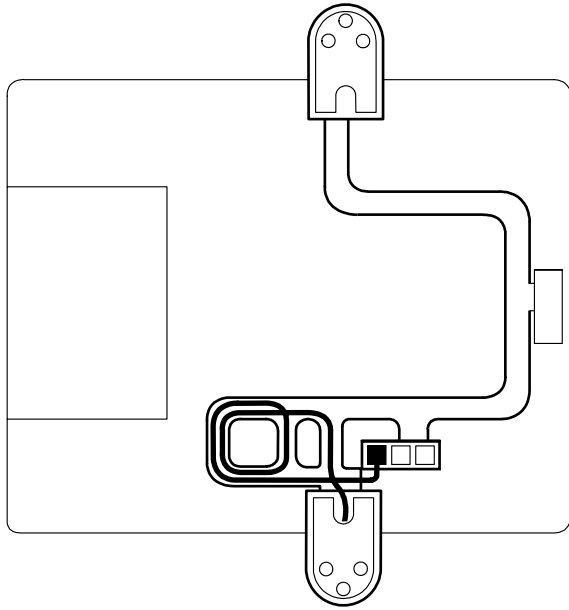


Cable from slot 1

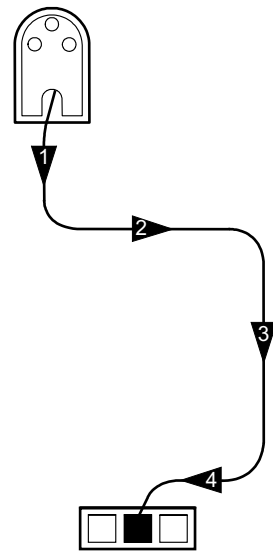
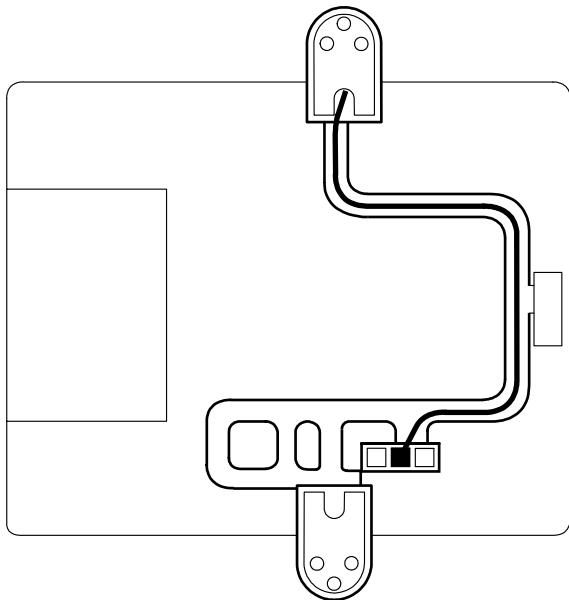


Cable route: dual display

Cable from slot 3

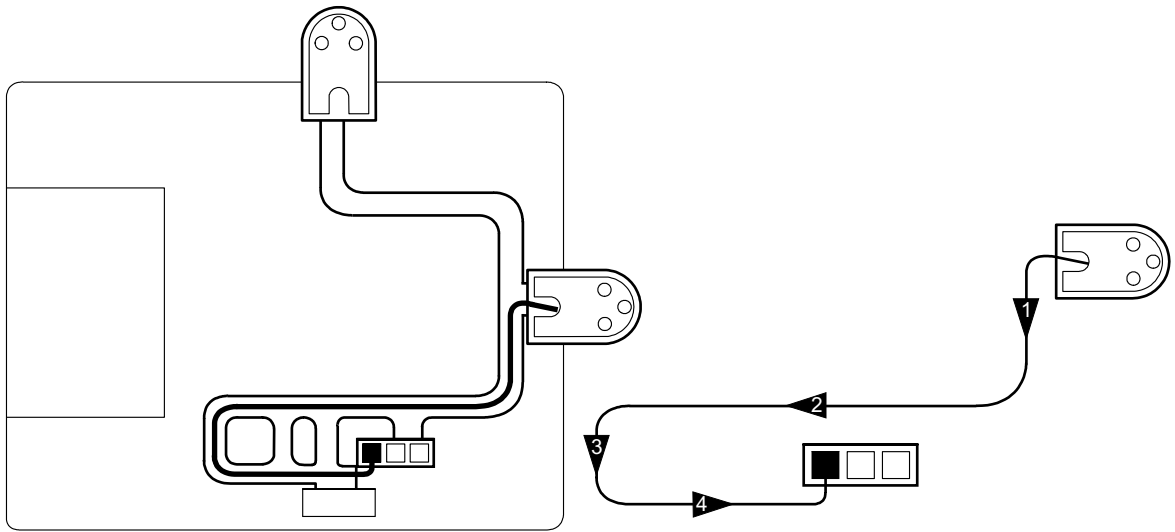


Cable from slot 1

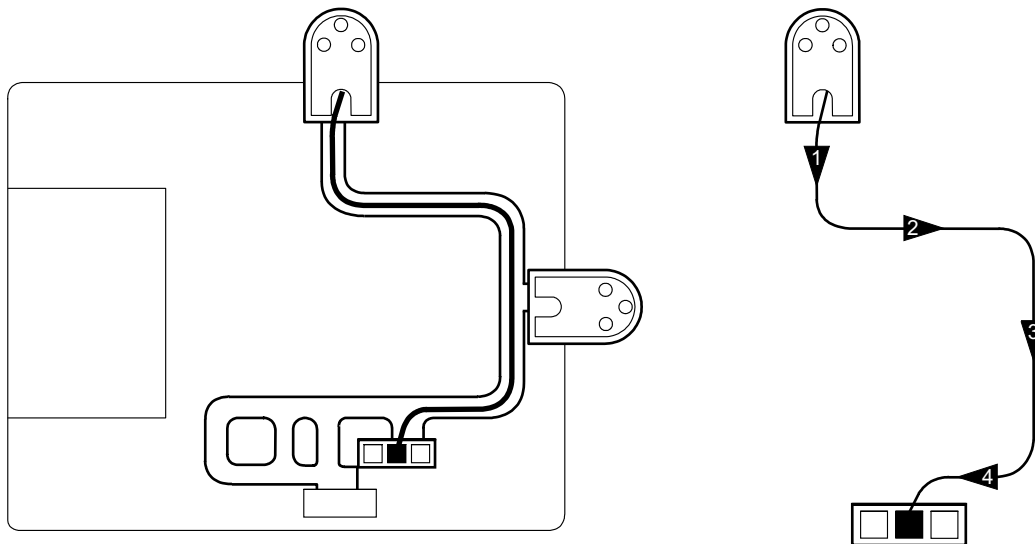


Cable route: dual display

Cable from slot 2

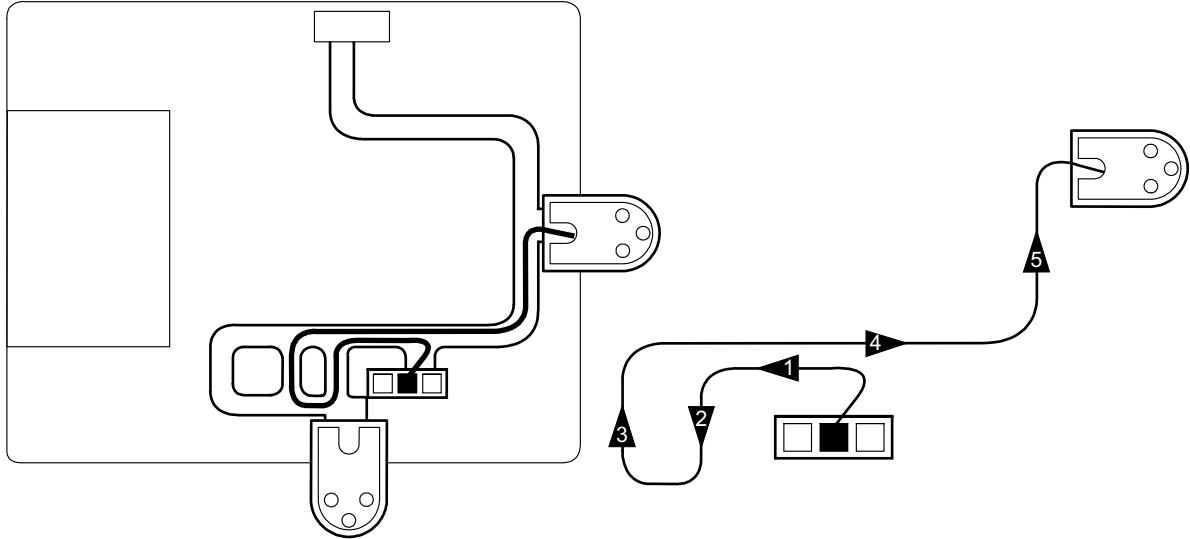


Cable from slot 1

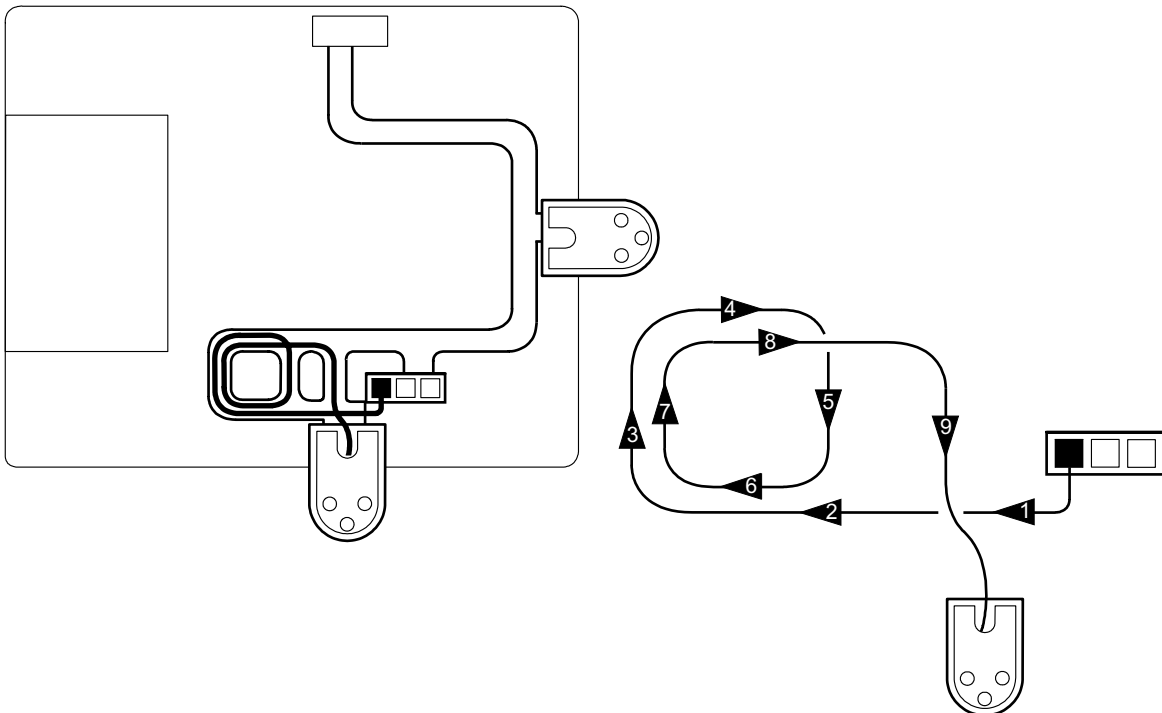


Cable route: dual display

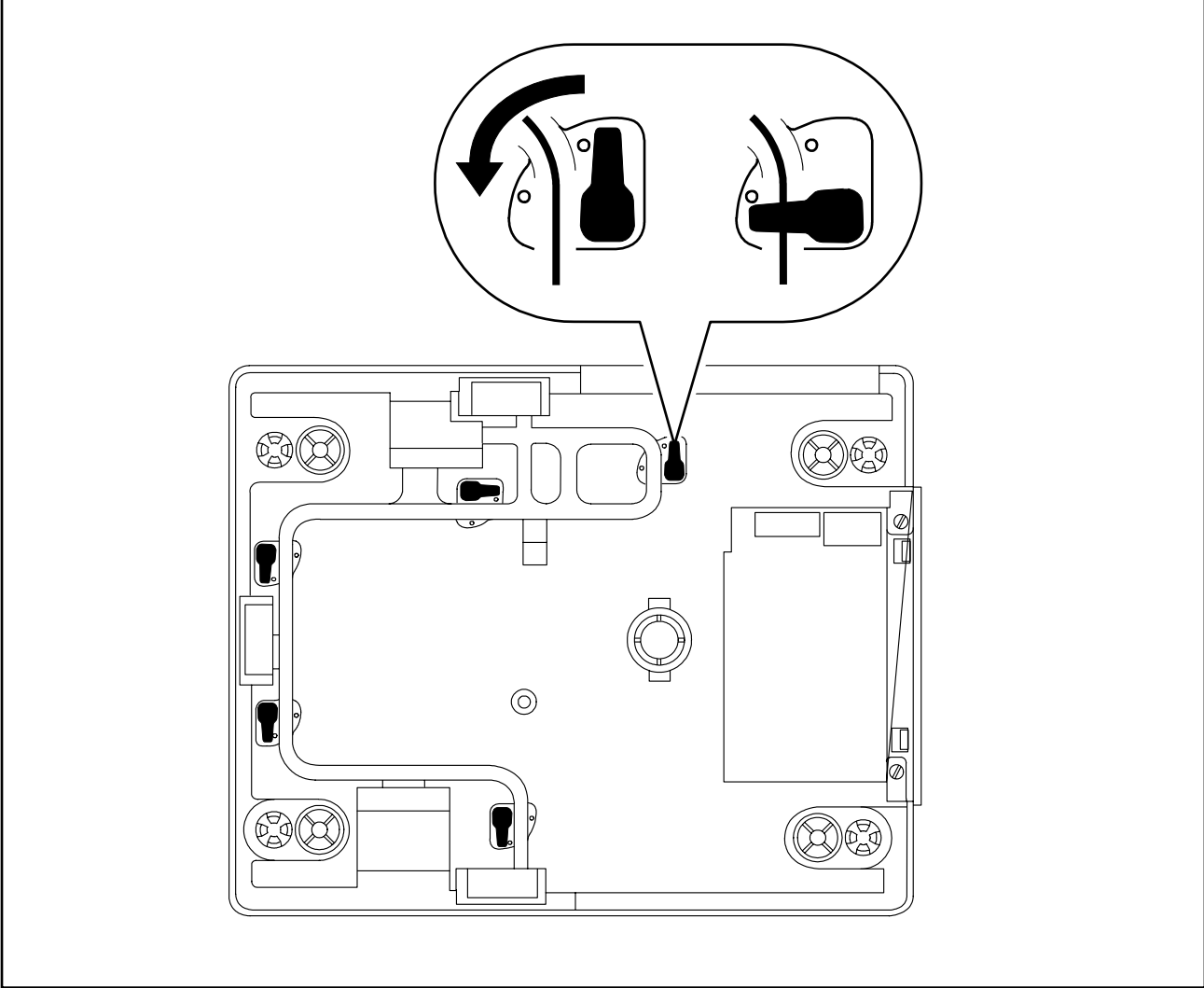
Cable from slot 2



Cable from slot 3



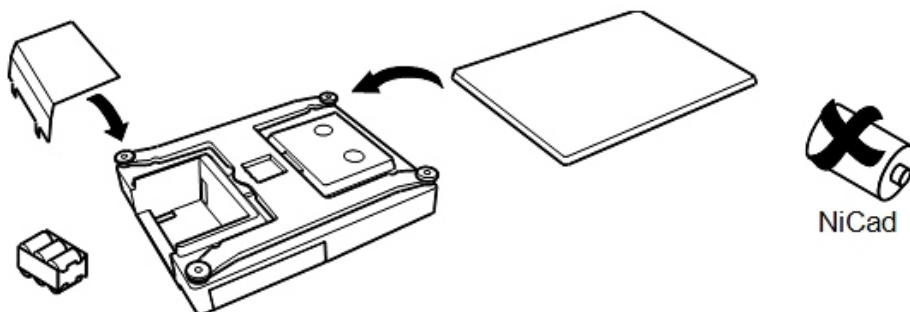
Securing the cable clips



FX120-A battery operation


Note: Battery operation is not available on the FX110-A.

Plug the battery pack into the scale (use 6 x 1.5v 2'D' size cells) and place the pack into the recess. Replace the cover and weigh plate.

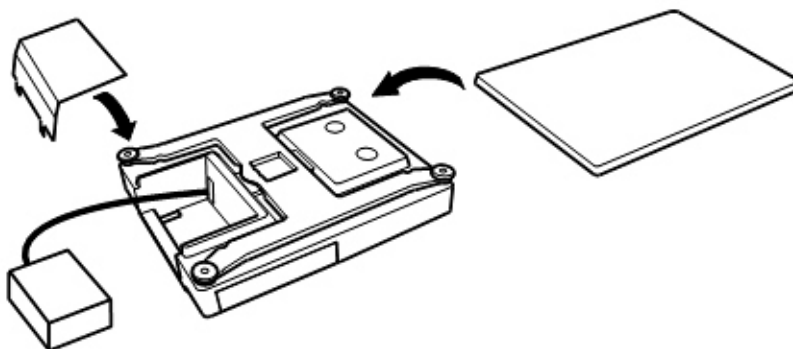


Caution: To avoid damage to the scale caused by leaking batteries, remove flat or damaged batteries immediately.

Please note: Rechargeable NiCad batteries are not suitable for this application due to their inherent short circuit thermal characteristics which can adversely affect the performance of the scale.

When you see the  symbol flashing on the display (or Battery LED), either replace or recharge the battery.

Using a rechargeable battery pack Plug the rechargeable battery pack into the scale and place the pack into the recess. Replace the cover and weigh plate.



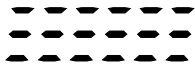
Recharging the battery pack Plug the mains cable into the socket located on the base of the scale, then switch on using the mains ON/OFF switch.

Note: It is possible to use the scale while recharging batteries.

Error messages



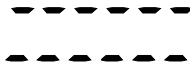
If a persistent error message appears or the scale locks up, disconnect then reconnect the scale to the power supply. If the scale remains inoperative, contact your authorised service agent.



Temporary
error



Weight
unsteady



Balance
failed



Under
range



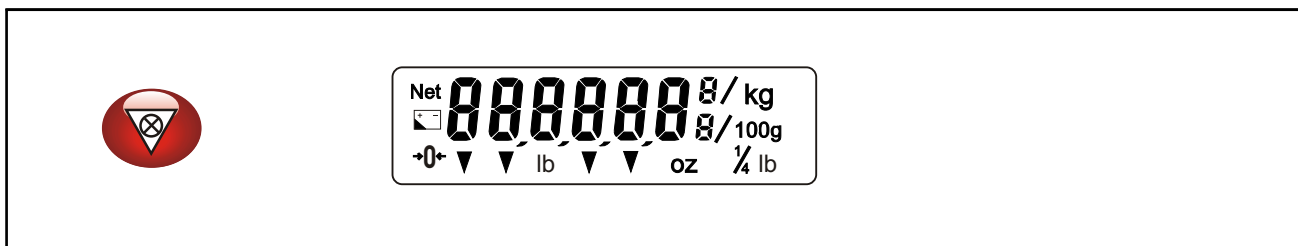
Over
range

Error codes:

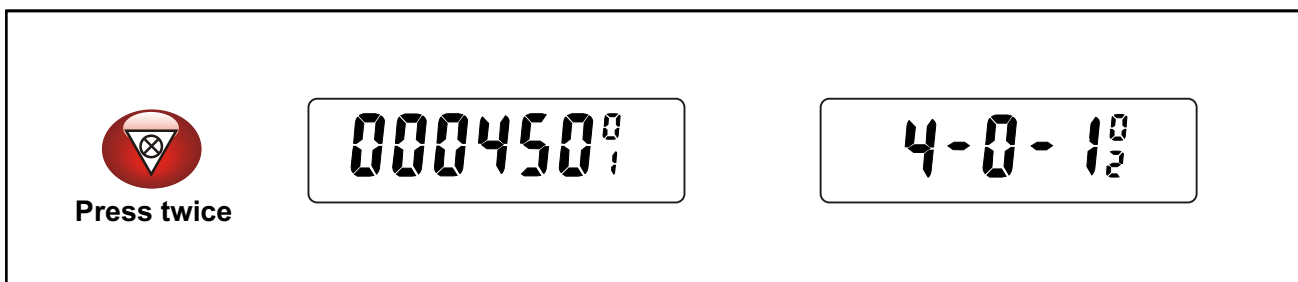
- E0** Disconnect and then reconnect the scanner scale to the power supply.
- E5** Disconnect and then reconnect the scanner scale to the power supply.
- E10** Battery failure (hardware fault). Contact your support centre.
- E11** Power supply voltage too high
- E15** Contact your support centre
- E20** Weight error. Remove all items from the weigh plate; press and hold the clear key until you hear two bleeps.
- E22** Contact your support centre
- E30** Contact your support centre
- E35** Contact your support centre
- E36** Contact your support centre
- E151** Contact your support centre
- E152** You do not have access to this function
- H** Disconnect and then reconnect the scanner scale to the power supply. If this does not clear the error message contact your support centre

Using the scale

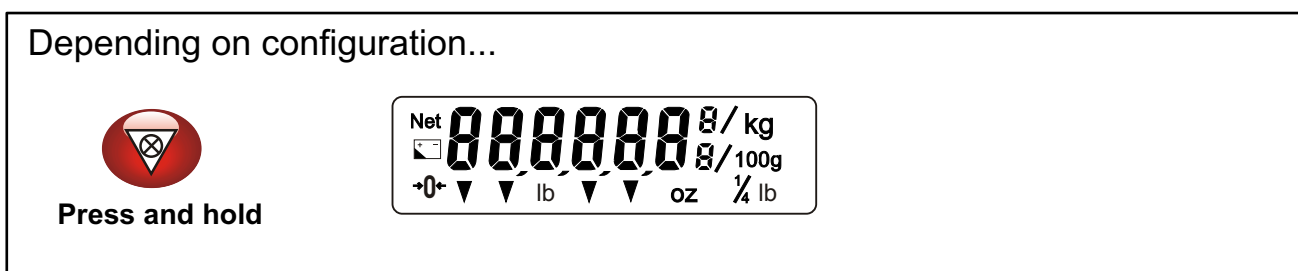
Testing the display



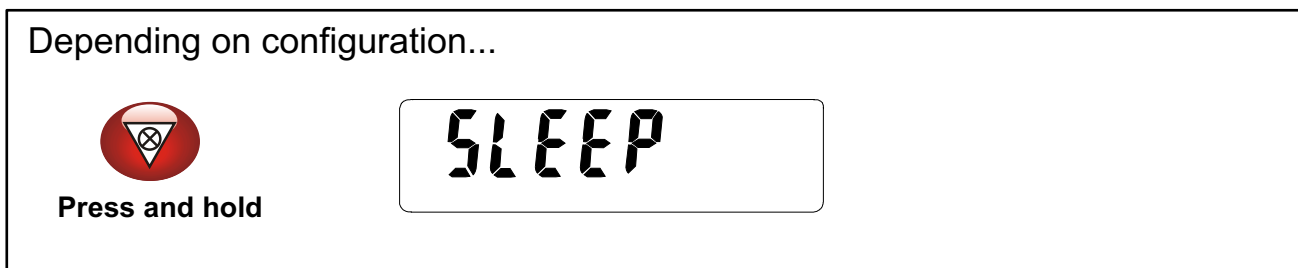
Displaying service information



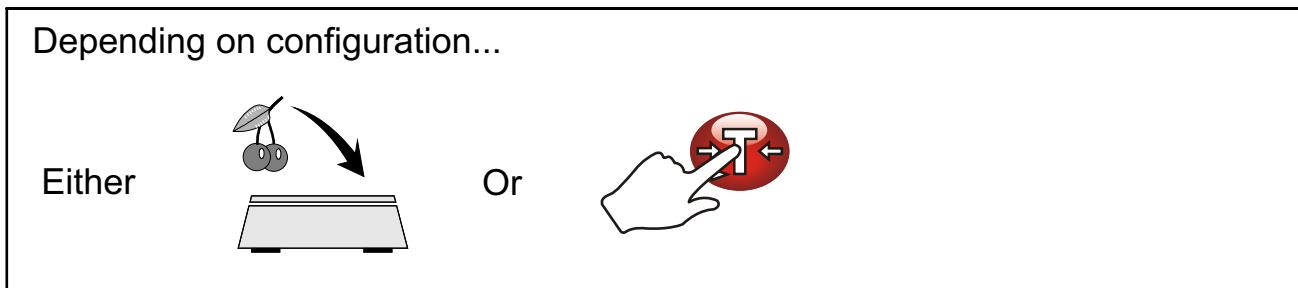
Resetting the machine



Selecting sleep mode

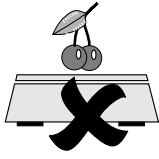


Waking up the scale



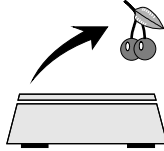
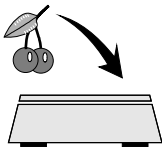
Zeroing the scale

Make sure that the scale is at zero before weighing any goods.

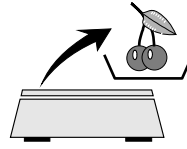
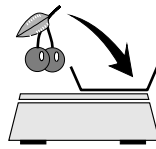
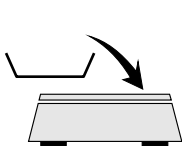


Weighing goods

Place the goods onto the scale.



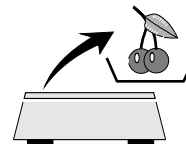
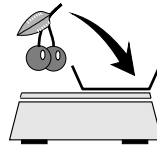
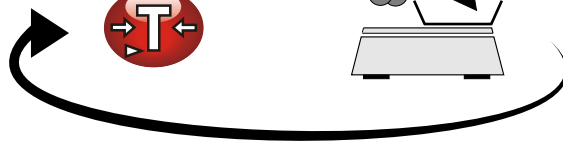
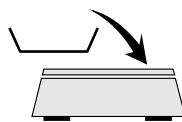
Using tares



To cancel a tare



Cumulative tare



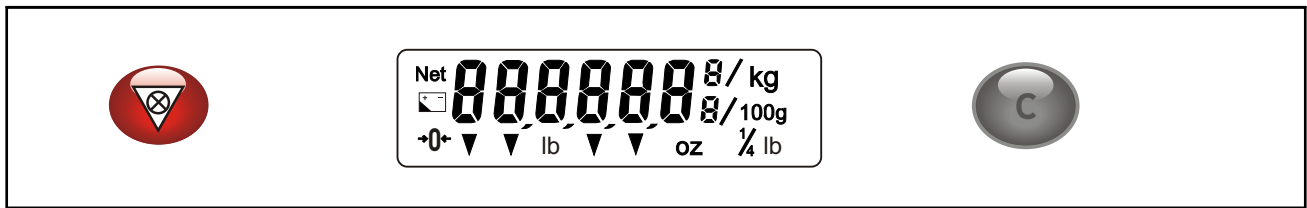
To cancel a tare



Repeat until all the goods have been weighed.

Management Mode

Entering management mode



Navigating management mode

Branch - **1295** - Sub branch
 0 - Value

For example:

- └ Branch (**12**)
 - └ Sub branch (**98**)
- └ Branch (**13**)
 - └ Sub branch (**00**)
 - └ Sub branch (**01**)



Go to the next branch (press and hold)
 Go to next sub-branch



Go to the previous branch (press and hold)
 Go to previous sub-branch



Sets the value to 0 enabling you to display a new value
 Return to Branch 00 (press and hold)



Displays the value. Press again to re-display
 the branch / sub-branch

After clearing a value to be changed each key press increments the value displayed. Pressing and holding the key increments the value by 10.

Note: *After changing a value, you must go to the next branch to accept the value.*



Exit management mode

Press and hold

000



1900



1901



1



0

Press and hold



2000



4



0



1

Press and hold



2900



Press and hold

Press and hold

Switching the bleeper alarm on/off

Go to branch 19, Sub-branch 00

1900	0 = Off
	1 = On

Switching the keyboard bleeper on/off

Go to branch 19, Sub-branch 01

1901	0 = Off
	1 = On

Target bleep

Branch 19, Sub-branch 02 - Not applicable for this machine.

Error bleeper

Go to branch 19, Sub-branch 03

1903	0 = Off
	1 = On

Changing the bleeper volume

Go to branch 19, Sub-branch 04

1904	0 = Quiet
	1 = Loud

Changing the backlight time

Go to branch 20, Sub-branch 00

2000	0 = always off
	1 = 5 seconds
	2 = 1 minute
	3 = 5 minute
	4 = always on

Changing the sleep time

Go to branch 20, Sub-branch 01

2001	0 = none
	1 = 1 minute
	2 = 5 minutes
	3 = 30 minutes

Changing the duration of a 'Long' press (press and hold)

Go to branch 29, Sub-branch 00

2900

Enter a value in units of 10 milliseconds (50-255).

200

For example:

200 = 2 seconds

150 = 1½ seconds

100 = 1 second

Enabling key timeout

Go to branch 74, Sub-branch 00

7400

0 = Disabled

1

1 = Enabled

Changing the timeout period

Go to branch 74, Sub-branch 01

7401

Enter a value in units of 10 milliseconds (50-255).

200

For example:

200 = 2 seconds

150 = 1½ seconds

100 = 1 second



EU Declaration of Conformity

www.averyberkel.com/docs