

FX120/FX125

modular retail scales



FX120 with integral weight only display.

Description

General

Modular free standing weight only or price computing retail scale. Interfaces to suitable printers for pre-packing operations and ECR/EpoS for use in checkout applications.

Automatic Variable Resolution (AVR) weighing capacities are optional.

The display locations are highly configurable, possible options being:

- Integral weight only.
- Remote weight only or price computing.
- Remote column mounted weight only or price computing.

Digital indication of weight, unit price (price computing only) and total price (price computing only).

Price computing versions may be specified with or without a numeric price entry keyboard.

Fully automatic zero correction

Wide range of tare operations including retained and semi-self-cancelling.

Proven Vibrating Beam digital load cell technology provides high accuracy and resolution with fast response times.

Fully protected to meet compliance requirements for Electro-Magnetic Interference and emissions.

Meets the requirements laid out in the RoHS Directive (2002/95/EWG).

Quick and simple pluggable interconnection of remote display units.

Feet are fully adjustable from the side or above to allow the scale to be levelled in-situ.

Calibration can be performed without removing the scale from its installation.

Flash memory technology allows for quick and simple updates for future-proofing of product functionality.

Wide range of power supply options that include powering the scale via the serial data connection from the EPoS/ECR (where this is supported by the EPoS/ECR).

Specification

Capacities	Tare Capacity (Maximum)
6 kg x 1 g	3 kg
6 kg x 2 g	3 kg
7.5 kg x 1 g	3.5 kg
12 kg x 2 g	6 kg
15 kg x 2 g	7.5 kg
15 kg x 5 g	7.5 kg
15 kg AVR	2 kg
30 kg x 5 g	15 kg
30 kg x 10 g	15 kg
12 lb x 0.002 lb	6 lb
30 lb x 0.005 lb	15 lb
30 lb x 0.01 lb	15 lb
60 lb x 0.01 lb	30 lb
60 lb x 0.02 lb	30 lb
6 kg x 1 g/12 lb x 0.002 lb	3 kg/6 lb
6 kg x 2 g/15 lb x 0.005 lb	3 kg/7.5 lb
15 kg x 5 g/30 lb x 0.01 lb	7.5 kg/15 lb
30 kg x 10 g/60 lb x 0.02 lb	15 kg/30 lb

Note: dual capacity may not be supported by some interface protocols, please check before placing order.

Tares

(Dependent on market) semi-self cancelling, retained, graduated, proportional, stored. Accumulative or non-accumulative.

Entry is either semi-automatic or via the keyboard.

Displays

Weight only versions show six seven-segment digits with sign.

LCD displays carry icons for net, zero, kg, lb.

Price computing versions have Weight display of up to five digits plus minus sign for negative tare indication, unit price display of up to seven digits and total price display of up to eight digits with decimal point or comma separators appropriate to the destination market.

An icons is available for zero. Annunciators are available for net, tare, hold (fix / save), price base, capacity type, item count and total (selection of annunciators is dependent on market configuration)

Controls

Keyboard controls are located on the display housing, available functions are market dependent.

Weight only: Zero, Test, Tare (optional).

Price Computing: Zero, Test, Tare, Hold (Fix / Save), Clear, Price Base, Numeric 0 – 9.

Fittings

Stainless steel plate
280 mm x 350 mm (no recess).

Display Options

(These must be specified at the time of ordering.)

1. Integral Weight Only

Two displays mounted on the longer sides of the scale housing.

2. Remote Weight Only

Single-sided or optional double-sided with 5 m cable.

3. Remote Column Mounted Weight Only

One single-sided or double-sided display housing may be mounted on a column attached to the counter surface using the bracket provided and connected to the scale with 5 m cable.

N.B. If you want a double-sided, column mounted display, please order column kit when placing scale order.

4. Remote Column Mounted Price Computing

One single-sided or double-sided display housing may be mounted on a column attached to the counter surface using the bracket provided and connected to the scale with 5 m cable.



FX120 with two integral weight only displays.



FX120 with remote weight only display.



FX120 with remote column mounted weight only display.



FX125 with remote column mounted price computing display and keyboard.

Electrical

Mains, or D.C. supply from EPoS/ECR.

Mains

A.C. plug top mains adaptor with 2 m cable suitable for destination market.

120 V ($\pm 10\%$) at 50 Hz or 60 Hz.

230V ($\pm 10\%$) at 50 Hz or 60 Hz.

In-line A.C adaptor with 2 m cable, class III 2 pin IEC connector and mains plug to suit destination market.

100 V - 240 V at 47 Hz to 63 Hz.

Approximate consumption 0.5 VA (standard LCD) @ 12 V DC, depending on final configuration.

DC supply from EPoS/ECR 6 - 12 V DC via the serial data channel connection to the EPoS/ECR (where this is supported by pin 1 on the EPoS/ECR RS232 connector).

Environment

Operating Temperature Range
-10 C° to + 40° C.

Storage Temperature Range
-20 C° to + 50° C.

Operating Humidity
0 to 95% RH (non-condensing).

Storage Humidity
0 to 98% RH (non-condensing).

Approvals

Fully approved in all EU countries (T5532).

Finish

Scale & Display Housings
Light grey ABS, RAL 7035.

Base Skirt
Black ABS.

Column
Grey, ABS.

Fitting
Brushed stainless steel.

Options

1. Remote Column
2. Price Computing or Weight Only
3. Weight Only Keyboard without Tare Key
4. Price Computing Keyboard with Numeric Keys

Interfaces

RS232
A full duplex bi-directional interface suitable for connection to ECR/EPoS also having RS232. Weight and price data (where applicable) are transferred from the scale to the EPoS/ECR and conforms to Weights and Measures criteria. The scale connection is a 9-way female 'D'shell.

Protocols

A range of protocols are available that may be selected through management mode, these include:

Avery Berkel Weight only (RS232 interface).

Avery Berkel Price Computing (RS232 interface).

OPOS Weight Only (RS232 interface).

OPOS Price Computing (RS232 interface).

Dialog 02/04/06 (RS232 interface).

BES (RS232 interface).

SMA (RS232 interface) (USA only).

Note that the use of a particular protocol may be dependent on local Weights and Measures requirements and should be checked before placing an order.

Shipping Specification

Net
4.5 kg (15 kg variant).
5.5 kg (30 kg variant).

Gross
6.51 kg (15 kg variant).
7.51 kg (30 kg variant).

Dimensions
400 mm x 420 mm x 340 mm

Number of Packages
One.

Harmonised Commodity Code
Retail scales up to 30 kg capacity: 84238101.

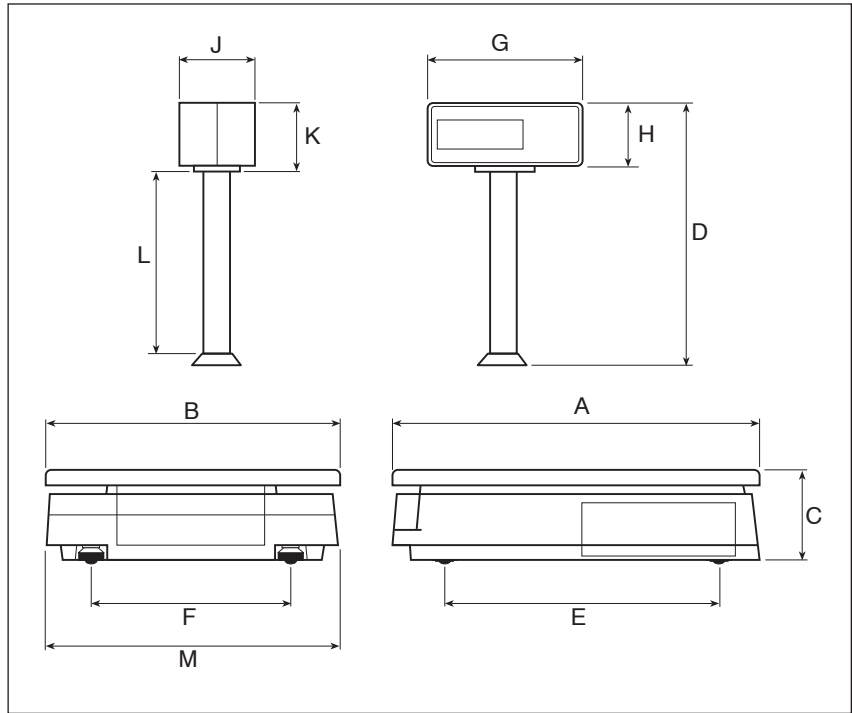
Dimensions

With Column Mounted Weight Only Display

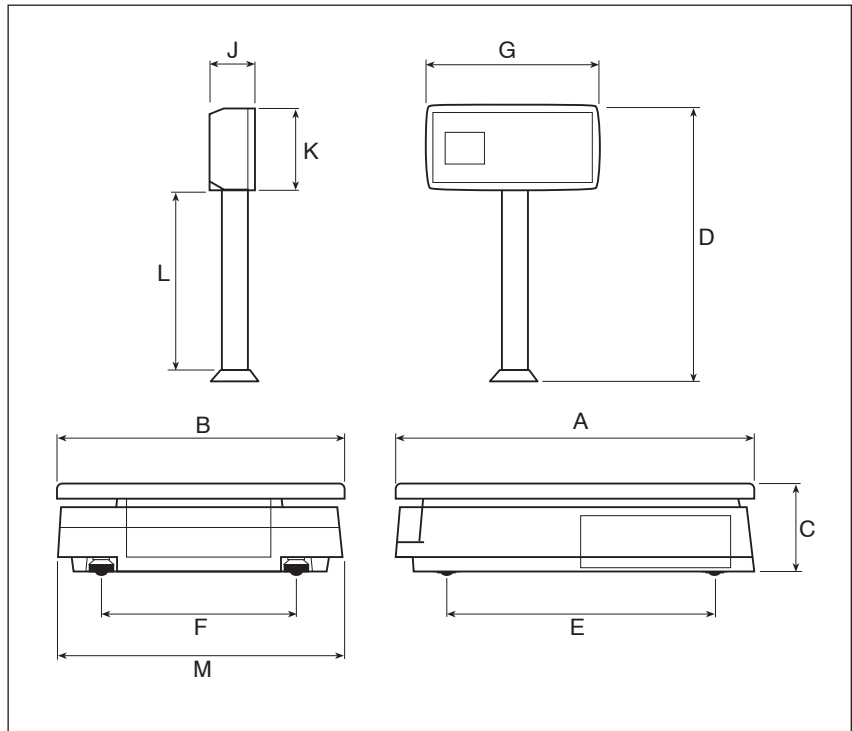
- A = 350 mm
- B = 280 mm
- C = 87 mm
- D = 398 mm
- E = 250 mm (15 kg capacity)
300 mm (30 kg capacity)
- F = 190 mm
- G = 152 mm
- H = 60 mm
- J = 59 mm
- K = 63 mm
- L = 320 mm
- M = 338 mm

With Column Mounted Price Computing Display

- A = 350 mm
- B = 280 mm
- C = 87 mm
- D = 462 mm
- E = 250 mm (15 kg capacity)
300 mm (30 kg capacity)
- F = 190 mm
- G = 263 mm
- J = 60 mm
- K = 127 mm
- L = 320 mm
- M = 338 mm



With Column Mounted Weight Only Display



With Column Mounted Price Computing Display

With Integral Weight Only Display

- A = 350 mm
- B = 280 mm
- C = 87 mm
- D = 397 mm
- E = 250 mm (15 kg capacity)
300 mm (30 kg capacity)
- F = 190 mm
- J = 20 mm
- K = 150 mm
- M = 300 mm

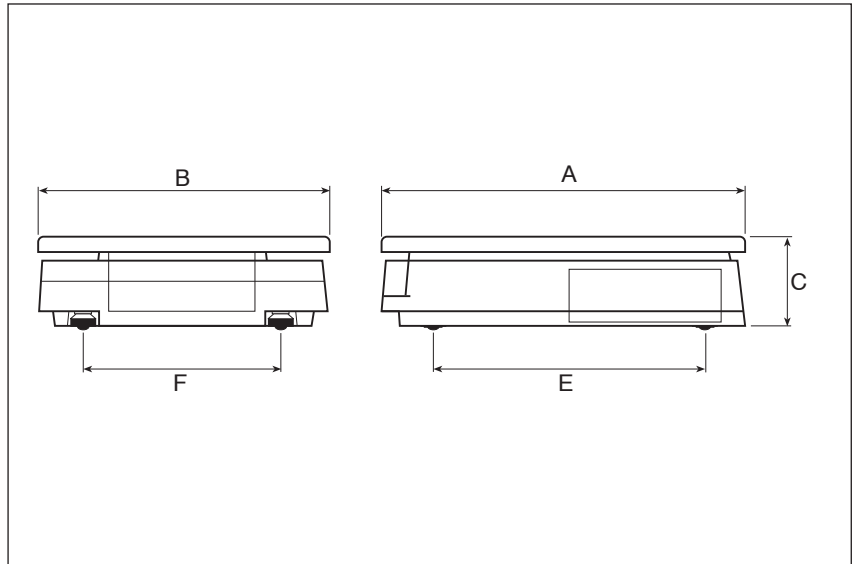
Weight

15 kg Variant

- 4.3 kg (weight only).
- 4.5 kg (price computing).

30 kg Variant

- 5.3 kg (weight only).
- 5.5 kg (price computing).



With Integral Weight-Only Display

© Avery Berkel 2011. All rights reserved. This publication is issued to provide outline information only, which, unless agreed in writing by Avery Berkel, a division of ITW Limited, may not be regarded as a representation relating to the products or services concerned. Avery Berkel reserves the right to alter without notice the specification, design, price or conditions of supply of any product or service.

Foundry Lane, Smethwick
West Midlands, England B66 2LP

Tel: +44 (0)870 903 2000
Fax: +44 (0)870 904 2223
E-mail: info@averyberkel.com
Internet: www.averyberkel.com

