

FX131-A - 9300i / 9400i



DESCRIPTION

GENERAL

FX131-A weight only scale kit compatible with DATALOGIC Magellan® 9300i and 9400i bi-optic scanners.

- Can be supplied as a scale kit for local assembly to scanner or as a complete factory-fitted scanner scale.
- Interfacing to a range of ECR/EPoS terminals for use as a flush mounted checkout scale.
- Column-mounted, single-sided weight only FX131-A.
- Fully automatic zero correction.
- Semi-automatic balance by touch key.
- Out-of-range audible warning.
- Fully self-cancelling, semi-self cancelling or fully retained tare available, dependent on markets.
- Patented analogue T103 load cell technology provides high accuracy and resolution with fast response times.
- Fully protected to meet the compliance requirements for electromagnetic interference and emissions. (EMC Directive 2014/30/EU).
- Meets the requirements laid out in the RoHS Directive (2011/65/EU).

SPECIFICATION

CONSTRUCTION

- Robust, patented analogue T103 load cell module with precision aluminium die-cast cross support and base with protective steel surround.

ELECTRICAL

Supply

- AC plug top mains adaptor with 1.8m cable suitable for destination market.
- 120 V ($\pm 10\%$) at 50 Hz or 60 Hz.
- 230V ($\pm 10\%$) at 50 Hz or 60 Hz.
- A.C adaptor with 2m cable, class III 2 pin IEC connector and mains plug to suit destination market.
- Approximate consumption 0.5 VA (standard LCD).
- Scale can be powered directly by the scanner using the scanner power adaptor loom provided with the scale kit. It can also be powered by a separate power adaptor.

ENVIRONMENT

Scale only (please see manufacturer's details for those applicable to the scanner)

Working temperature range
-10° C to +40° C

Storage temperature range
-30° C to +50° C

Working humidity
5 - 90% (non-condensing)

Storage humidity
5 - 90% (non-condensing)

CAPACITY & TARE

Capacity	Resolution	Tare capacity (max)
15kg x 5g	3000e	7.5kg

Displays

Weight-only versions show six seven segment digits with sign.

Displays carry icons for net, zero, kg and lb.

An icon is available for zero. Annunciators are available for net and tare.

1. Column-mounted weight only.

Single-sided display housing mounted on a column attached to the counter surface using the bracket provided and connected to the scale with a 5m cable.



SCALE INTERFACES

The scale can be connected to ECR/EPoS either via a full duplex bi-directional RS232 or USB 2.0. When selecting RS232 as the scale interface the scale connection is an RJ45 and the scale kit and/or complete scanner scale come as standard with a scale to IBM Epos RS232 loom.

Alternative scale to Epos communication looms can be sourced and their compatibility should be checked by the purchaser before placing an order for the scale kit/complete scanner scale.

PROTOCOLS

A range of available protocols may be selected through management mode:

- Avery Berkel weight only - RS232 or USB interface
- Avery Berkel price computing - RS232 or USB interface
- Mettler Toledo L2 - RS232 or USB interface
- Mettler Toledo 82/7 - RS232 or USB interface
- OPOS weight only - RS232 or USB interface
- JPOS weight only - RS232 or USB interface

- Dialog 02/04/06 - RS232 or USB interface
- BES - RS232 or USB interface
- SMA - RS232 or USB interface

Note: Use of a particular protocol may be dependent on local Weights and Measures requirements and should be checked before placing an order.

KEYBOARDS

- Keyboard controls are located on the display housing; available functions are market dependent
- Weight only FX131-A: Zero, Test and Tare

APPROVALS

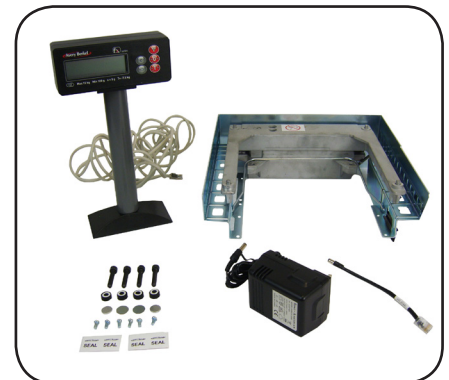
EC approval number: UK3096

SCALE KIT CONTENTS

The scale only kit contains the following:

1. Weighing unit with I/O connection board for assembly with scanner
2. Display unit
3. Scanner power adaptor loom for use if you wish to power the scale from the scanner

4. Scanner fixing kit:
 - Counter fixing and levelling screws/feet
 - Conductive pan rubbers
 - W&M seals
5. Scale power adaptor if you wish to power the scale separately from the scanner
6. Scale to IBM EPoS RS232 loom



FACTORY-FITTED COMPLETE SCANNER SCALE CONTENTS

1. Scale kit as detailed on previous page assembled to scanner
2. Scanner with power adaptor and scanner to EPOS loom
3. Display unit
4. Scale power adaptor if you wish to power the scale separately from the scanner
5. Scale to EPoS IBM RS232 loom



COMPATIBLE 9300i & 9400i

Magellan 9400i: Medium scanner, scale variant, Datalogic P/N: 941024012

Magellan 9300i : Medium scanner, scale variant, Datalogic P/N: 931024010

These are the only compatible variants supported by FX131-A

WEIGHT 9300i & 9400i

FX131-A weight-only scale - 3.8kg (scale kit only)

FX131-A weight-only - 7.4kg scale with scanner

SHIPPING SPECIFICATION 9300i & 9400i

FX131-A weight-only scale kit

- Net 3.8kg
- Gross 5kg
- Measurement:

470mm x 375mm x 150mm

Harmonised Commodity Code:
8423 81. 5000

FX131-A weight-only with scanner

- Net 7.4kg
- Gross 11.4kg
- Measurement:

470mm x 460mm x 360mm

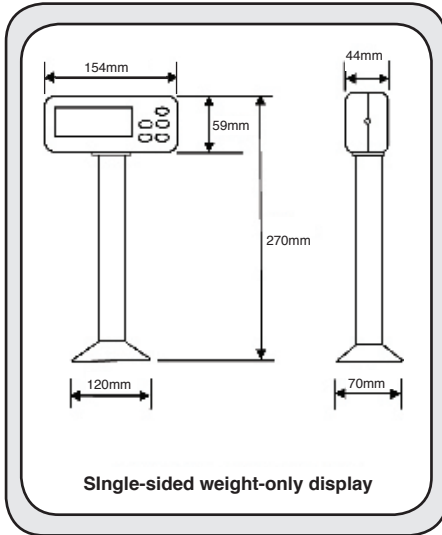
Harmonised Commodity Code:
8423 81. 5000

At-a-glance DATALOGIC Magellan® 9300i & 9400i specifications

9300i & 9400i

Scan pattern	<ul style="list-style-type: none"> • Read zone - 360°
EPOS interface options	<ul style="list-style-type: none"> • RS232, USB, IBM
Symbologies	<ul style="list-style-type: none"> • Auto discriminates all standard 1D codes including GS1 Databar linear • GS1 Databar expanded, stacked • GS1 Databar stacked • GS1 Databar stacked, omni-directional • Micro PDF417 • UPC A/E Composites Aztec Code • Datamatrix • QR Code
Power	<ul style="list-style-type: none"> • AC input: 100-240 VAC, 50-60 Hz • Operating 12 watts nominal, 11 watts in standby
Other features	<ul style="list-style-type: none"> • All weighs scale platter • Sensormatic & EAS options • Diagnostic reporting

DISPLAY



DIMENSIONS

